

M63

LOGIC-ENABLED BOUNDARY MICROPHONE

OVERVIEW

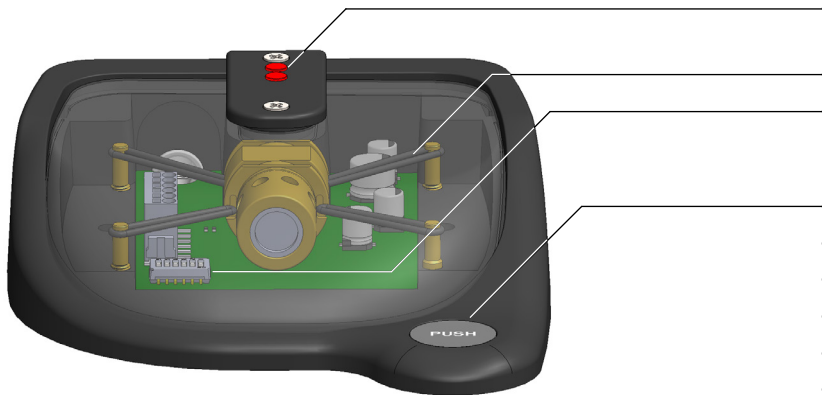
The M63 is a condenser boundary microphone featuring programmable functionality including a local toggle on/off, momentary talk and mute switching, and LED status (red/green) indicators. Optimized for speech, the M63 employs the Micros™ series technology for superior audio quality and performance. The M63 is also the industry's only programmable boundary microphone with a patented internal shock-mount suspension system to reduce noise caused by touch and surface vibrations.

The M63 uses an internal microprocessor programmed to provide common DSP functions at a fraction of the cost of a typical DSP solution. Only the microphone connection (A+, A- and ground) is required for full functionality when set to internal logic. Phantom power is required (No other power supply is needed). For installations not requiring elaborate DSP programming, the M63 provides an easy-to-operate solution without the cost and labor required for DSP operation.



FEATURES

- Sleek, modern design
- Programmable (red/green) LEDs for active/mute status
- Industry-first internal shockmount
- Programmable toggle on, toggle off, momentary talk and momentary mute button modes
- Ergonomic flush-mount button
- Optimized for speech clarity
- High sensitivity and signal-to-noise
- Immunity from RF interference
- Slide-resistant rubber base
- Manufactured in the USA with US and foreign components
- 3-year warranty



MODEL VARIATIONS

- **M63** - Cardioid polar pattern; cable exits the rear of unit
- **M63B** - As above, except cable exits the bottom of the unit (cable passes through mounting surface)
- **M63OMNI** - Omnidirectional polar pattern; cable exits the rear of unit
- **M63OMNIB** - As above, except cable exits the bottom of unit
- **M63D** - Dante-AES67 version

APPLICATIONS

- Boardrooms
- Huddle rooms
- Distance learning
- Video and teleconferencing
- Courtroom/government
- Podium



AUDIX®

M63 Spec Sheet v1.0

SUPPLIED ACCESSORIES

- Two mating 3-pin terminal block connectors
- Drill template
- Mounting screws

ARCHITECT & ENGINEER SPECIFICATION

The microphone shall be of the condenser type with modular, miniature capsule available with cardioid or omnidirectional polar patterns, as well as rear- or bottom-exiting cable configurations. The microphone shall be protected from RF interference and have a patented internal shockmount suspension system. The microphone shall have two colored (red/green) LED status indicators, an offset push button, and programmable internal logic. The microphone shall have a fully integrated preamp circuitry. The microphone shall operate on 48 Volts DC and the nominal output impedance shall be equal to 150 ohms at 1 kHz. The microphone shall have a sensitivity of 52 mV / Pa at 1 kHz. The microphone shall have a maximum SPL level of ≥ 124 dB with THD of 0.5%. The microphone shall be cast out of zinc alloy and painted black and the dimensions shall be 82 mm in width and a length of 103 mm. The microphone shall be the Audix M63.

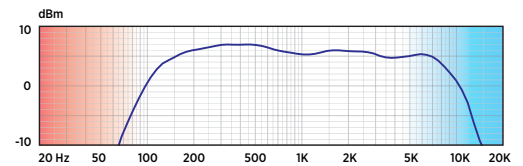
DIMENSIONS



SPECIFICATIONS

Transducer Type	Condenser
Frequency Response	50 Hz - 15 kHz
Polar Pattern	Cardioid or Omni
Output Impedance	150 ohms
Sensitivity	52 mV / Pa @ 1k
Signal to Noise Ratio	22 dB
Equivalent Noise Level	72 dB
Maximum SPL	≥ 124 dB
Dynamic Range	102 dB
Power Requirements	48V phantom
Polarity	Positive pressure on diaphragm produces positive voltage on pin 2 relative to pin 3 of output XLR connector
Connector	Two 3-pin terminal block connectors
Materials / Finish	Zinc alloy / black
Weight	350 g / 12.3 oz
Width	81 mm / 3.25 in
Length	103 mm / 4 in

FREQUENCY RESPONSE



POLAR PATTERNS

